



FLAMEPROOF ELECTRICAL ENCLOSURES LTD

Tat Bank Road, Oldbury, West Midlands B69 4NP

Telephone: 0121 541 1315 Fax: 0121 552 0592 E-mail: sales@feel-online.co.uk Website: www.feel-online.co.uk



CERTIFICATE NO: 930015

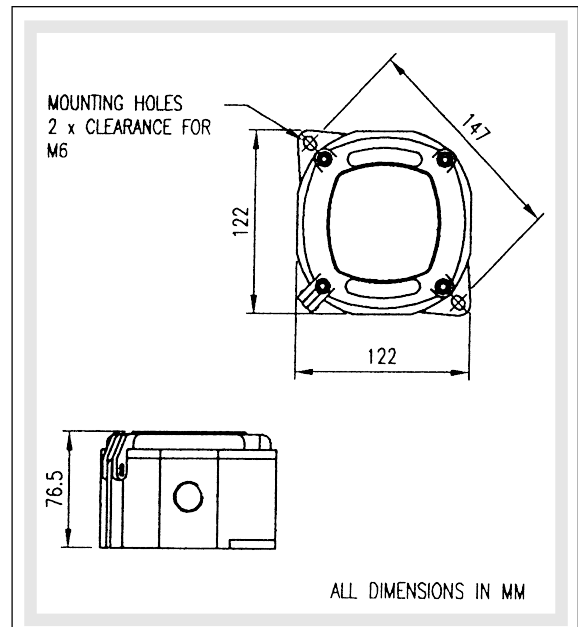
RANGE ABS900

INDUSTRIAL / WEATHERPROOF / PLASTIC ENCLOSURE

- MATERIAL:** Acrylonitrile Butadiene Styrene
- FINISH:** Slate Grey
- WEIGHT:** 0.6Kg (approx)
- FEATURE:** The enclosure has a uniquely designed hinged cover which allows the unit to remain 'as one' at time of installation.
- EARTH FACILITIES:** Available as an optional extra:
 1. Earth Continuity Plate
 2. Internal / External Earth Stud
- ENTRIES:** The enclosure can be supplied without entries or we can supply 20mm or 25mm entries as standard (See table below)
 Alternatives are available upon request as follows:
 3/4" and 1" B.S. Conduit
 Pg 11, 13, 16 and 21
 1/2" and 3/4" N.P.T
 Plain clearance holes
- APPLICATION:** The enclosure has many uses and is particularly suitable for housing electronic components.
 We can supply the enclosure fitted with terminals for use as a Junction Box; see typical assemblies and values in the table below.



Weidmuller Type	Cable Capacity (mm ²)		Maximum Rating		Qty
	Minimum	Maximum	Volts	Amps	
SAK 2.5	0.5	2.5	750	27	10
SAK 4	0.5	4.0	750	36	8
SAK 6N	0.5	6.0	750	47	6
SAK 10	2.5	10	750	65	4
WDU 2.5	0.5	2.5	800	24	8
BK6	0.5	4.0	440	36	6
MK6/6	0.5	6.0	440	40	6
SAKK4	0.5	4.0	750	36	7
SAKK10	2.5	10.0	750	65	4
Entrelec					
MA2.5/5	0.5	2.5	800	24	10
M4/6	0.5	4.0	800	32	8
Standard entry patterns			20mm	25mm	
1 Way	○		AB01	AB51	
2 Way	○		AB02	AB52	
3 Way	○		AB03	AB53	
4 Way	○		AB04	AB54	
Angle	○		AB05	AB55	



To order enclosures with alternative entries please give a full description of your requirements.

THE RIGHT CHOICE FOR QUALITY AND SERVICE