



**FLAMEPROOF ELECTRICAL ENCLOSURES LTD**

Tat Bank Road, Oldbury, West Midlands B69 4NP

Telephone: 0121 541 1315 Fax: 0121 552 0592 E-mail: sales@feel-online.co.uk Website: www.feel-online.co.uk



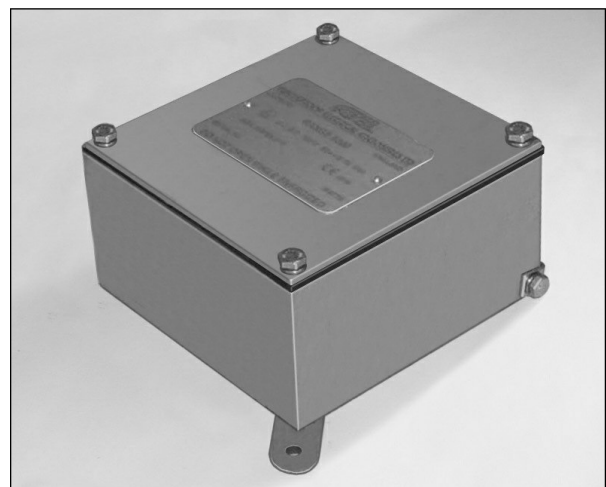
CERTIFICATE NO: 930015

## RANGE 5000

### EXPLOSION PROTECTED / WEATHERPROOF / JUNCTION BOXES

ATEX Approved for Group II, Category 2, G and D. The enclosure has been certified to give a large measure of flexibility based on Power Dissipation and is suitable for Zone 1 and 2 (Gases) and Zone 21 and 22 (Dusts)

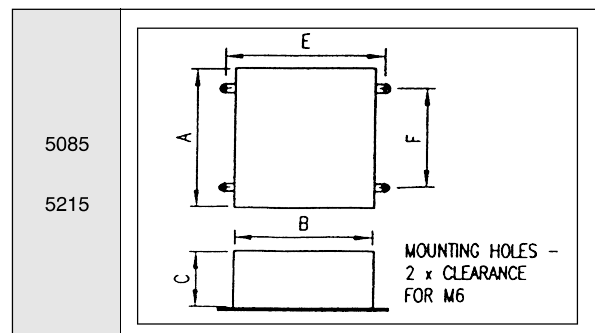
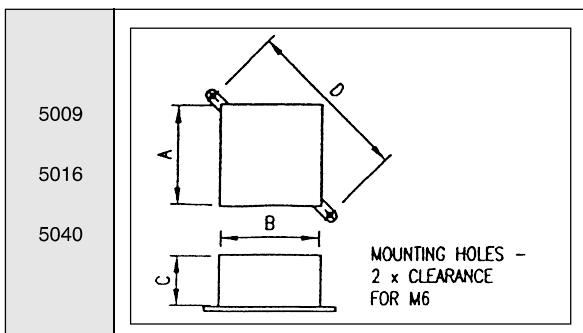
<b>CERTIFICATE NUMBER:</b>	Sira 03ATEX3119
<b>PROTECTION CONCEPT:</b>	Ex e II T6 T80 °C Ex e II T5 T95 °C
<b>AMBIENT TEMPERATURE:</b>	-20°C to +40°C (T6) -20°C to +55°C (T5)
<b>POWER DISSIPATION LIMIT:</b>	7W (5009) 8W (5016) 10.5W (5040) 23.8W (5085) 27.7W (5215)
<b>INGRESS PROTECTION:</b>	IP66 (Basic enclosure)
<b>MATERIALS STANDARD:</b>	Grey Cast Iron (EN 1561) Cover Mild Steel
<b>COVER SCREWS:</b>	Stainless Steel A4 80 captive
<b>FINISH STANDARD:</b>	Hot Dipped Galvanised
<b>SPECIAL:</b>	Zinc spray, Epoxy resin or Paint (any colour)



**WEIGHT:** 3Kg (5009) 4Kg (5016) 6Kg (5040) 15Kg (5085) 37Kg (5215)

**CABLE ENTRIES:** Entries into the enclosures may be by way of plain or tapped holes which may be provided by FEEL or by the customer. Any cable entry must be capable of maintaining a minimum ingress protection level of IP54 to maintain the certification.

	A (Internal)	B (Internal)	C (Internal)	D	E	F
5009	100	100	65	180	-	-
5016	130	130	65	220	-	-
5040	170	170	80	284	-	-
5085	250	250	100	-	290	180
5215	400	400	100	-	450	320



**TERMINAL BLOCKS:**

Various terminal blocks may be fitted to the enclosure the table below is a guide only to ratings that can be obtained using various terminal types . Combinations of types can be supplied if required.

The table assumes that each terminal is carrying the same level of current for further information please call FEEL technical personnel.

	Number of Terminal Ways	Conductor size (mm <sup>2</sup> )	-20°C to +40°C (T6)	-20°C to +55°C (T5)	Terminal Voltage
5009	10	2.5	21.0 Amps	21.0 Amps	550
	9	4.0	28.0 Amps	28.0 Amps	550
	7	6.0	36.0 Amps	36.0 Amps	550
5016	16	2.5	16.5 Amps	16.5 Amps	550
	14	4.0	21.5 Amps	21.5 Amps	550
	12	6.0	28.5 Amps	28.5 Amps	550
5040	24	2.5	14.0 Amps	14.0 Amps	550
	22	4.0	18.0 Amps	18.0 Amps	550
	18	6.0	23.5 Amps	23.5 Amps	550
5085	60	2.5	11.5 Amps	11.5 Amps	550
	54	4.0	15.0 Amps	15.0 Amps	550
	44	6.0	19.5 Amps	19.5 Amps	550
5215	150	2.5	6.5 Amps	6.5 Amps	550
	138	4.0	8.5 Amps	8.5 Amps	550
	111	6.0	11.5 Amps	11.5 Amps	550

**EARTH TERMINALS:**

Enclosures are produced with both internal and external earth facilities. However rail mounted earth terminals can be supplied in lieu of through terminals if required.

**IMPORTANT** In order to comply with certification requirements it is necessary to supply each enclosure fitted with a terminal block. Please detail your exact requirements. If terminal blocks are not defined each enclosure will be fitted with a pair suitable for 2.5mm<sup>2</sup> conductors @ 21 Amps. Entry to enclosure must be by way of approved cable glands and unused entries must be fitted with approved plugs.

**INSTALLATION INSTRUCTIONS:** The installer must ensure that the enclosure chosen is suitable for the field of application. Which means that the marking on the certification label must correspond to the classification given to the Ex area.

Also that the temperature class of the enclosure meets the respective requirements.

For further information refer to the Installation Instruction sheet provided with the enclosures.

**THE RIGHT CHOICE FOR QUALITY AND SERVICE**