



FLAMEPROOF ELECTRICAL ENCLOSURES LTD

Tat Bank Road, Oldbury, West Midlands B69 4NP

Telephone: 0121 541 1315 Fax: 0121 552 0592 E-mail: sales@feel-online.co.uk Website: www.feel-online.co.uk

ISO 9001

Registered Company

sira
CERTIFICATION



CERTIFICATE NO: 930015

RANGE 4000

EXPLOSION PROTECTED / WEATHERPROOF / JUNCTION BOX

ATEX Approved for Group II, Category 2, G and D. The enclosure has been certified to give a large measure of flexibility based on Power Dissipation and is suitable for Zone 1 and 2 (Gases) Zone 21 and 22 (Dusts)

CERTIFICATE NUMBER: DEMKO 01ATEX130862X

PROTECTION CONCEPT:
Ex d IIB T6 T85 °C
Ex d IIB T5 T100 °C
Ex d IIB T4 T135 °C

**AMBIENT TEMPERATURE AND:
POWER DISSIPATION LIMIT:**
-20°C to +50°C (T6) 30W
-20°C to +60°C (T5) 30W
-20°C to +40°C (T6) 40W
-20°C to +50°C (T5) 40W
-20°C to +40°C (T5) 50W
-20°C to +60°C (T4) 50W

INGRESS PROTECTION: IP66

MATERIALS STANDARD: Grey Cast Iron (EN 1561)

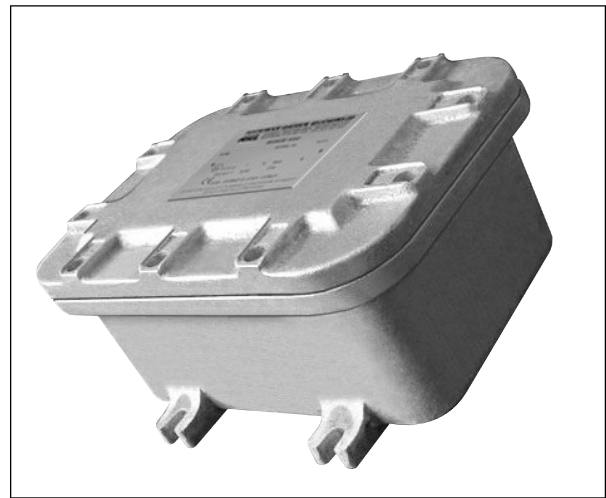
COVER SCREWS: Stainless Steel A4 80 captive

FINISH STANDARD: Hot Dipped Galvanised

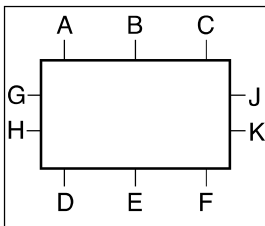
SPECIAL: Zinc spray, Epoxy resin or Paint (any colour)

WEIGHT: 11Kg (approx)

CABLE ENTRIES: Standard entries are 20mm and 25mm ISO metric. 1.5mm pitch. Alternative entries are available upon request. NPT 1/2" and 3/4". BS conduit 3/4" and 1".



Entry positions



ORDERING: When ordering please state RANGE 4000 and clearly identify position, size and thread type required for each entry.

e.g. A - 20mm, B & C - 25mm, D & F - 25mm

A maximum of three entries is permitted in the long face and two in the short face.

TERMINAL BLOCKS:

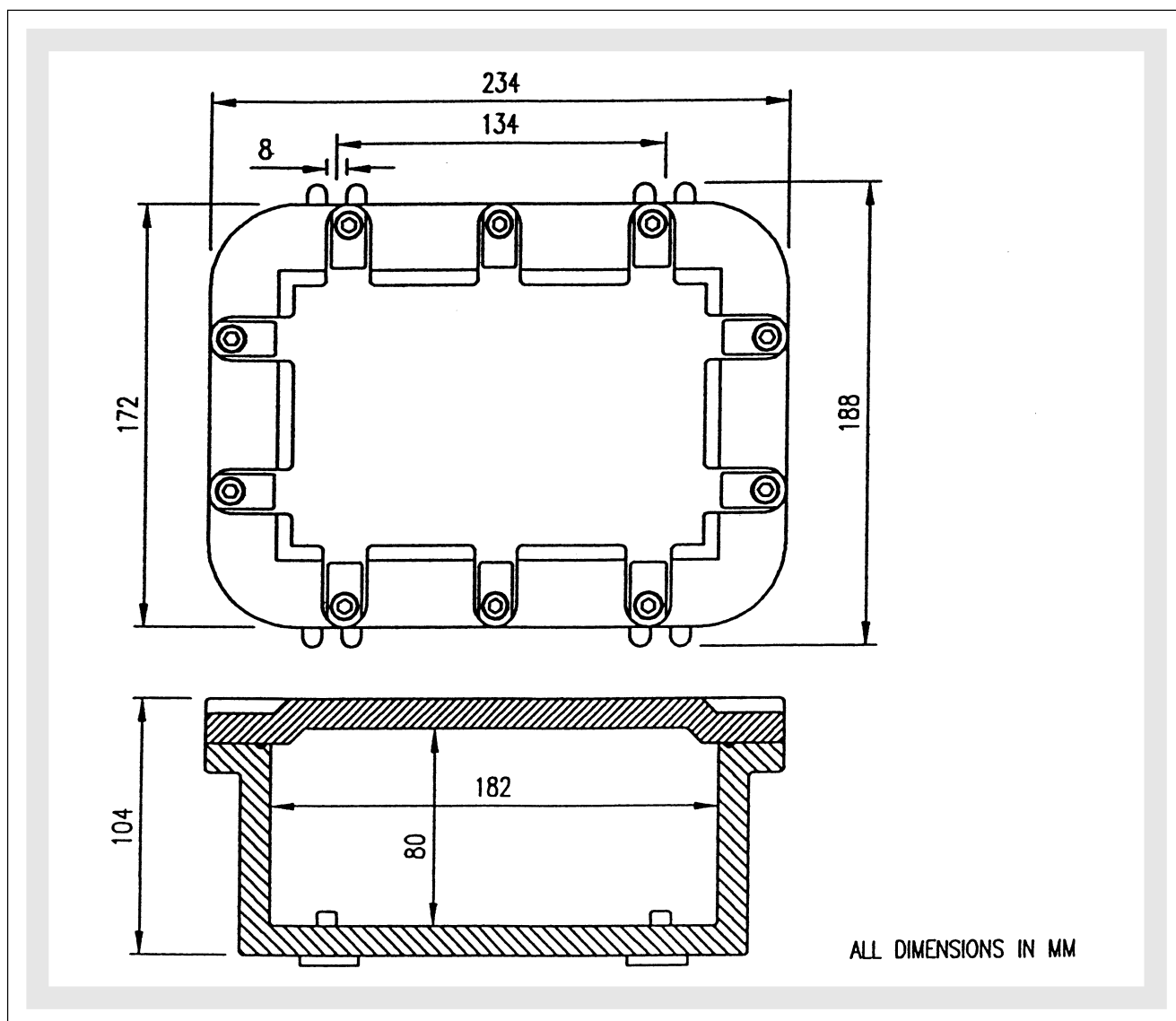
Various terminal blocks may be fitted to the enclosure the table below is a guide to ratings that can be obtained using various terminal combinations for other ratings contact FEEL sales. The table assumes that each terminal is carrying the same level of current for further information please call FEEL technical personnel.

Terminal Form	Maximum No of Ways	Conductor Size (mm ²)	Load per Terminal (T6 @ 40W)	Load per Terminal (T5 @ 50W)	Load per Terminal (T4 @ 50W)	Terminal Voltage
Block	24	4.0	36 Amps	36 Amps	36 Amps	440
Block	12	6.0	40 Amps	40 Amps	40 Amps	440
Rail mounted	26	2.5	24 Amps	24 Amps	24 Amps	800
Rail mounted	21	4.0	32 Amps	32 Amps	32 Amps	800
Rail mounted	16	6.0	41 Amps	41 Amps	41 Amps	800

IMPORTANT In order to comply with certification requirements it is necessary to supply each enclosure fitted with a terminal block. Please detail your exact requirements. If terminal blocks are not defined each enclosure will be fitted with a 12-way block suitable for 4.0mm² conductors @ 36 Amps. Entry to enclosure must be by way of approved cable glands or stopping boxes. Direct entry with conduit tube is not permitted and unused entries must be fitted with approved plugs.

FOLLOWING OPTIONS CAN ALSO BE ACCOMMODATED

- This enclosure is certified for the instant fitting of various components, providing that when such components are placed in the enclosure, the arrangement provides at least 20% of each cross sectional area free to permit unimpeded gas flow and therefore unrestricted development of an explosion. Also the components fitted must not generate power likely to exceed the Power Dissipation Limit required.
The following limitations do apply:
 1. No rotating or other devices that can cause turbulence are permitted.
 2. No liquids are permitted inside the enclosure.
 3. No cells or batteries are permitted.
 4. No oil filled circuit breakers or contactors shall be used.
 Contact FEEL with your requirements for Technical advice and Quotation.
- The enclosure can be supplied empty for customer own certification component Certificate DEMKO 01ATEX130861U



INSTALLATION INSTRUCTIONS: The installer must ensure that the enclosure chosen is suitable for the field of application. Which means that the marking on the certification label must correspond to the classification given to the Ex area.
Also that the temperature class of the enclosure meets the respective requirements.
For further information refer to the Installation Instruction sheet provided with the enclosures.

THE RIGHT CHOICE FOR QUALITY AND SERVICE