



FLAMEPROOF ELECTRICAL ENCLOSURES LTD

Tat Bank Road, Oldbury, West Midlands B69 4NP

Telephone: 0121 541 1315 Fax: 0121 552 0592 E-mail: sales@feel-online.co.uk Website: www.feel-online.co.uk

ISO 9001
Registered Company

sira
CERTIFICATION



CERTIFICATE NO: 930015

RANGE 3000

EXPLOSION PROTECTED / WEATHERPROOF / JUNCTION BOX

ATEX & IECEx Approved for Group II, Category 2, G and D. The enclosure has been certified to give a large measure of flexibility based on Power Dissipation and is suitable for Zone 1 and 2 (Gases) Zone 21 and 22 (Dusts)

CERTIFICATE NUMBER:	Sira 08ATEX1056
	IECEx SIR 13.0113
PROTECTION CONCEPT:	Ex d IIC T6 T55 °C Ex d IIC T5 T65 °C
AMBIENT TEMPERATURE:	-20°C to +40°C (T6) -20°C to +55°C (T5)
POWER DISSIPATION LIMIT:	7.0 Watts @ T6 5.0 Watts @ T5
INGRESS PROTECTION:	IP66
MATERIALS STANDARD:	Grey Cast Iron (EN 1561)
SPECIAL:	Stainless Steel (BS3100)
COVER SCREWS:	Stainless Steel A4 80 captive
FINISH STANDARD:	Hot Dipped Galvanised
SPECIAL:	Zinc spray, Epoxy resin or Paint (any colour)
WEIGHT:	4.0Kg CI 4.5Kg SS
CABLE ENTRIES:	Standard entries are 20mm and 25mm ISO metric, 1.5mm pitch. Alternative entries are available upon request. NPT 1/2" and 3/4". Pg 11, 13.5, 16 and 21. BS conduit 3/4" and 1". Back outlet can be supplied if required please state against each item.



	Entry Position		20mm	25mm
1 Way	West		3001	3051
2 Way	West and East		3002	3052
3 Way	West, East and South		3003	3053
4 Way	West, East, South and North		3004	3054
Angle	West and South		3005	3055

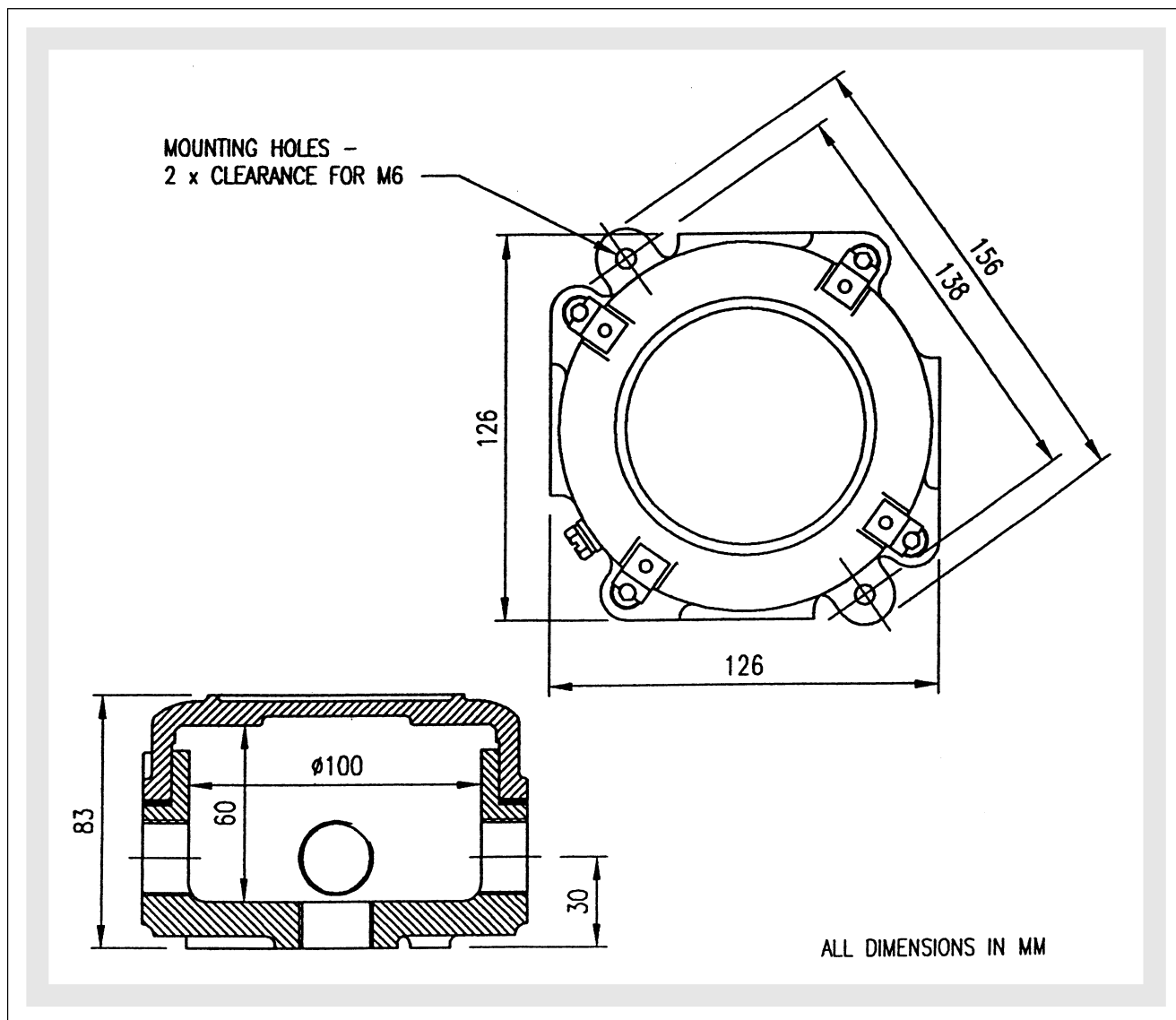
TERMINAL BLOCKS: Various terminal blocks may be fitted to the enclosure the table below is a guide to ratings that can be obtained using various terminal combinations. The table assumes that each terminal is carrying the same level of current for further information please call FEEL technical personnel.

Terminal Form	Maximum No of Ways	Conductor Size (mm ²)	Load per Terminal (T6)	Load per Terminal (T5)	Terminal Voltage
Block	12	4.0	29 Amps	24 Amps	440
Block	6	6.0	40 Amps	40 Amps	440
Rail mounted	8	2.5	25 Amps	21 Amps	750
Rail mounted	7	4.0	33 Amps	27 Amps	750
Rail mounted	6	6.0	44 Amps	36 Amps	750
Rail mounted	4	10.0	65 Amps	64 Amps	750
Rail mounted	3	16.0	87 Amps	87 Amps	750

IMPORTANT In order to comply with certification requirements it is necessary to supply each enclosure fitted with a terminal block. Please detail your exact requirements. If terminal blocks are not defined each enclosure will be fitted with a 4-way block suitable for 4.0mm² conductors @ 29 Amps. Entry to enclosure must be by way of approved cable glands or stopping boxes. Direct entry with conduit tube is not permitted and unused entries must be fitted with approved plugs.

FOLLOWING OPTIONS CAN ALSO BE ACCOMMODATED

- The addition of a Diode fitted across any two of the terminals.
- The addition of a Resistor (Max rating 2 Watts) across any two of the terminals.
- A dome cover with a single entry at the centre.
- Special applications such as PCB installation by obtaining a Variation Certificate.
- The enclosure can be supplied empty for customer own certification Component Certificate Sira 00ATEX1125U.



INSTALLATION INSTRUCTIONS: The installer must ensure that the enclosure chosen is suitable for the field of application. Which means that the marking on the certification label must correspond to the classification given to the Ex area.
Also that the temperature class of the enclosure meets the respective requirements.
For further information refer to the Installation Instruction sheet provided with the enclosures.

THE RIGHT CHOICE FOR QUALITY AND SERVICE