



FLAMEPROOF ELECTRICAL ENCLOSURES LTD

Tat Bank Road, Oldbury, West Midlands B69 4NP

Telephone: 0121 541 1315 Fax: 0121 552 0592 E-mail: sales@feel-online.co.uk Website: www.feel-online.co.uk



CERTIFICATE NO: 930015

RANGE 2000 ZETA BOX

EXPLOSION PROTECTED / WEATHERPROOF / JUNCTION BOX

ATEX & IECEx Approved for Group II, Category 2, D and D. The enclosure has been certified to give a large measure of flexibility based on Power Dissipation and is suitable for Zone 1 and 2 (Gases) and Zone 21 and 22 (Dusts)

CERTIFICATE NUMBER: CML 14ATEX3040
IECEx-CML14.0028
PROTECTION CONCEPT: Ex e IIC T6 T55 °C
 Ex e IIC T6 T65 °C

AMBIENT TEMPERATURE: -60°C to +40°C (T6)*
 -60°C to +55°C (T6)**

POWER DISSIPATION LIMIT: 7.6* & 5.0** Watts @ T6

INGRESS PROTECTION: IP66

MATERIALS STANDARD: Grey Cast Iron (EN 1561)

COVER SCREWS: Stainless Steel A4 80 captive

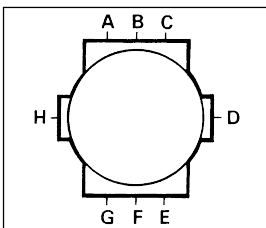
FINISH STANDARD: Hot Dipped Galvanised
SPECIAL: Zinc spray, Epoxy resin or Paint (any colour)

WEIGHT: 2.5Kg (approx)



CABLE ENTRIES: Standard entries are 20mm and 25mm ISO metric. 1.5mm pitch. Alternative entries are available upon request. NPT 1/2" and 3/4". Pg 11, 13.5, 16 and 21. BS conduit 3/4" and 1". Back outlet can be supplied if required please state against each item.

Entry positions



ORDERING: When ordering please state RANGE 2000 ZETA BOX and clearly identify position, size and thread type required for each entry.

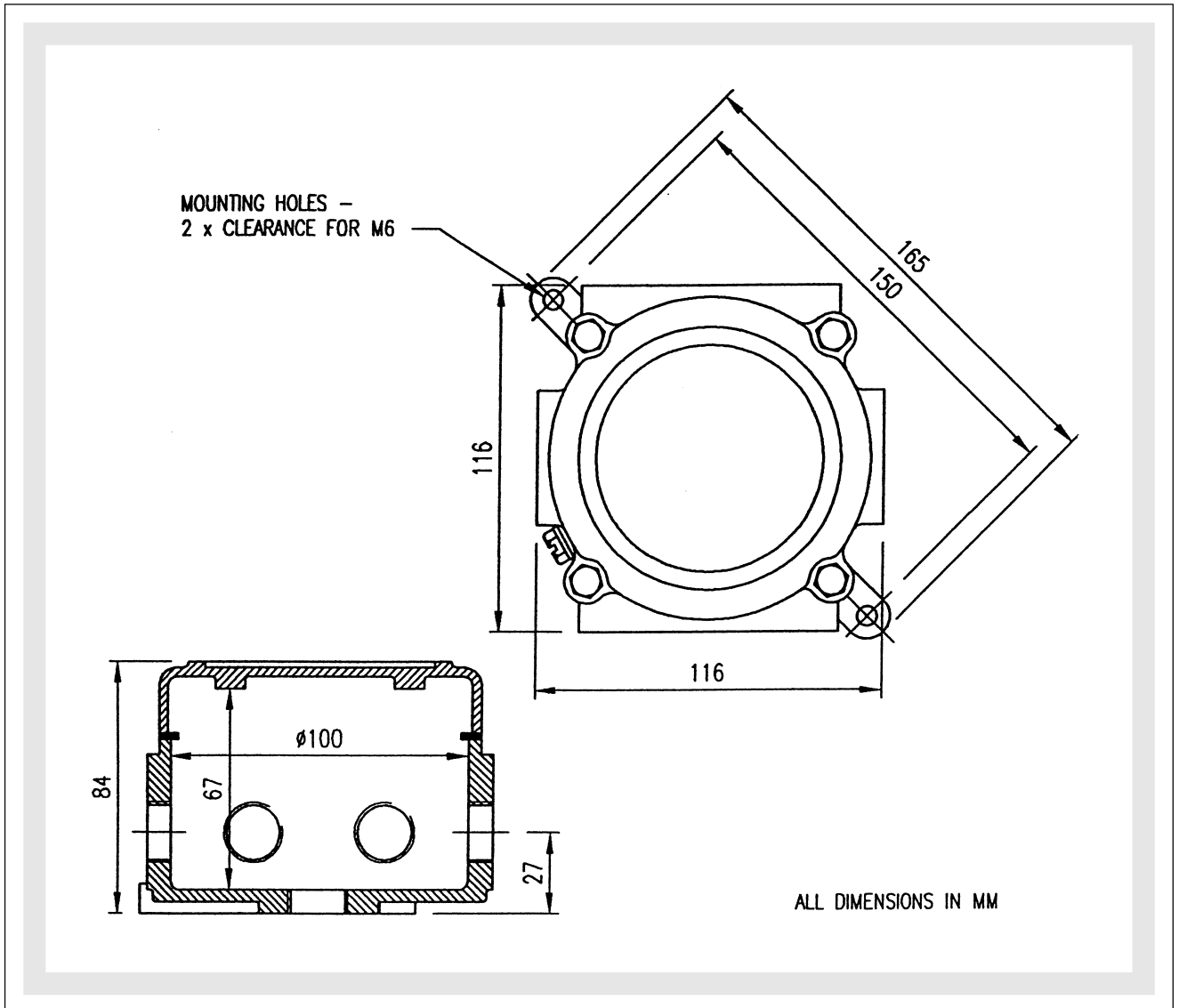
e.g. A - 20mm, F - 25mm

A maximum of two entries is permitted in the broad face of the enclosure i.e. A and C plus E and G.

TERMINAL BLOCKS: Various terminal blocks may be fitted to the enclosure the table below is a guide to ratings that can be obtained using various terminal combinations. The table assumes that each terminal is carrying the same level of current for further information please call FEEL technical personnel.

Terminal Form	Maximum No of Ways	Conductor Size (mm ²)	Load per Terminal (T6)*	Load per Terminal (T6)**	Terminal Voltage
Block	12	4.0	28	26.5	275
Block	6	6.0	26	26	420
Rail mounted	8	2.5	21	21	550
Rail mounted	7	4.0	28	28	550
Rail mounted	6	6.0	36	36	550
Rail mounted	4	10.0	50	50	550

IMPORTANT In order to comply with certification requirements it is necessary to supply each enclosure fitted with a terminal block. Please detail your exact requirements. If terminal blocks are not defined each enclosure will be fitted with a 4-way block suitable for 4.0mm² conductors @ 28 Amps. Entry to enclosure must be by way of approved cable glands and unused entries must be fitted with approved plugs.



INSTALLATION INSTRUCTIONS: The installer must ensure that the enclosure chosen is suitable for the field of application. Which means that the marking on the certification label must correspond to the classification given to the Ex area.
Also that the temperature class of the enclosure meets the respective requirements.
For further information refer to the Installation Instruction sheet provided with the enclosures.

THE RIGHT CHOICE FOR QUALITY AND SERVICE