



**FLAMEPROOF ELECTRICAL ENCLOSURES LTD**

Tat Bank Road, Oldbury, West Midlands B69 4NP

Telephone: 0121 541 1315 Fax: 0121 552 0592 E-mail: sales@feel-online.co.uk Website: www.feel-online.co.uk

**ISO 9001**  
Registered Company

**sira**  
CERTIFICATION



CERTIFICATE NO: 930015

**RANGE 2000 HIGH TEMPERATURE**

**EXPLOSION PROTECTED / WEATHERPROOF / JUNCTION BOX**

ATEX & IECEx Approved for Group II, Category 2, G and D. The enclosure has been certified for high temperature use based on Power Dissipation and is suitable for Zone 1 and 2 (Gases) Zone 21 and 22 (Dusts).

**CERTIFICATE No** CML 14ATEX3040  
**IECEx CML 14.0028**

**PROTECTION** Ex e IIC T3 T170OC

**CONCEPT: AMBIENT TEMPERATURE:** -60OC to +150OC (T3)

**POWER DISSIPATION** 8.95 Watts @ T3

**INGRESS** I P66

**MATERIALS** Grey Cast Iron (EN 1561)

**COVER SCREWS:** Stainless Steel A4 80

**COVER GASKET:** captive  
Silicone for high temperature app.

**FINISH STANDARD:** Hot Dipped Galvanised

**SPECIAL:** Zinc spray, Epoxy resin or Paint (any colour)

**WEIGHT:** 2.3Kg (approx)

**CABLE ENTRIES:** Standard entries are 20mm and 25mm ISO metric. 1.5mm pitch.  
Alternative entries are available upon request. NPT 1/2" and 3/4". Pg 11,

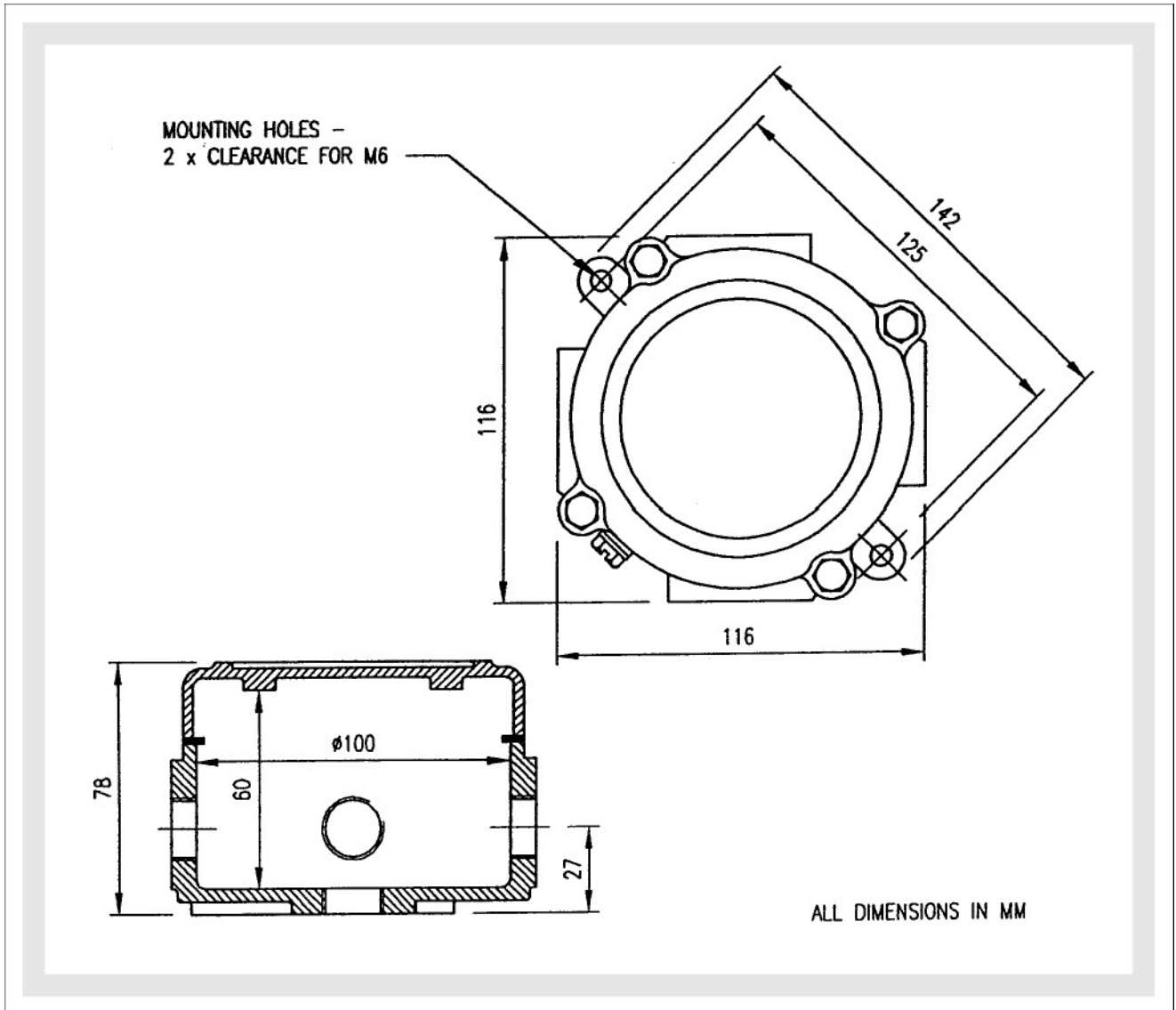


	Entry Position	20mm	25mm
1 Way	West	2001H	2051H
2 Way	West and East	2002H	2052H
3 Way	West, East and South	2003H	2053H
4 Way	West, East, South and North	2004H	2054H
Angle	West and South	2005H	2055H

**TERMINAL BLOCKS:** Various terminal blocks may be fitted to the enclosure the table below is a guide to ratings

Terminal Form	Maximum No of Ways	Conductor Size (mm <sup>2</sup> )	Load per Terminal (T3)	Terminal Voltage
Rail mounted (ceramic)	7	4.0	21	275
Rail mounted (ceramic)	4	10.0	37	275

**IMPORTANT** In order to comply with certification requirements it is necessary to supply each enclosure fitted with a terminal block. Please detail your exact requirements. If terminal blocks are not defined each enclosure will be fitted with a 4-way block suitable for 4.0mm<sup>2</sup> conductors @ 21 Amps. Entry to enclosure must be by way of approved cable glands and unused entries must be fitted with approved plugs.



**INSTALLATION INSTRUCTIONS:** The installer must ensure that the enclosure chosen is suitable for the field of application. Which means that the marking on the certification label must correspond to the classification given to the Ex area. Also that the temperature class of the enclosure meets the respective requirements.

For further information refer to the Installation Instruction sheet provided with the enclosures.

**THE RIGHT CHOICE FOR QUALITY AND SERVICE**