



FLAMEPROOF ELECTRICAL ENCLOSURES LTD

Tat Bank Road, Oldbury, West Midlands B69 4NP

Telephone: 0121 541 1315 Fax: 0121 552 0592 E-mail: sales@feel-online.co.uk Website: www.feel-online.co.uk



CERTIFICATE NO: 930015

RANGE 10000

EXPLOSION PROTECTED / WEATHERPROOF / JUNCTION BOX

ATEX Approved for Group II, Category 2, G and D. The enclosure has been certified to give a large measure of flexibility based on Power Dissipation and is suitable for Zone 1 and 2 (Gases) and Zone 21 and 22 (Dusts)

CERTIFICATE NUMBER: Sira 08ATEX1055
PROTECTION CONCEPT: Ex d IIC T6 T80 °C
 Ex d IIC T5 T95 °C
 Ex d IIC T4 T130 °C

AMBIENT TEMPERATURE: -60°C to +55°C (T6)

POWER DISSIPATION LIMIT: 5.0 Watts @ T6
 12.5 Watts @ T5
 35.0 Watts @ T4

INGRESS PROTECTION: IP66

MATERIALS STANDARD: Grey Cast Iron (EN 1561)

COVER SCREWS: Stainless Steel A4 80 captive

COVER GASKET: Neoprene for T6 & T5
 Silicone for T4

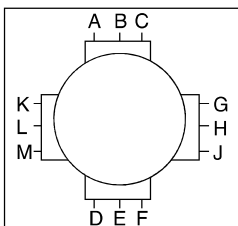
FINISH STANDARD: Hot Dipped Galvanised
SPECIAL: Zinc spray, Epoxy resin or Paint (any colour)

WEIGHT: 8.0Kg (approx)

CABLE ENTRIES: Standard entries are 20mm, 25mm & 32mm ISO metric. 1.5mm pitch. Alternative entries are available upon request. NPT 1/2" and 3/4". Pg 11, 13.5, 16 and 21. BS conduit 3/4", 1" and 1 1/4". A single back outlet can be supplied if required up to 25mm please state against each item.



Entry positions



Each enclosure face can be supplied with the following metric entries:

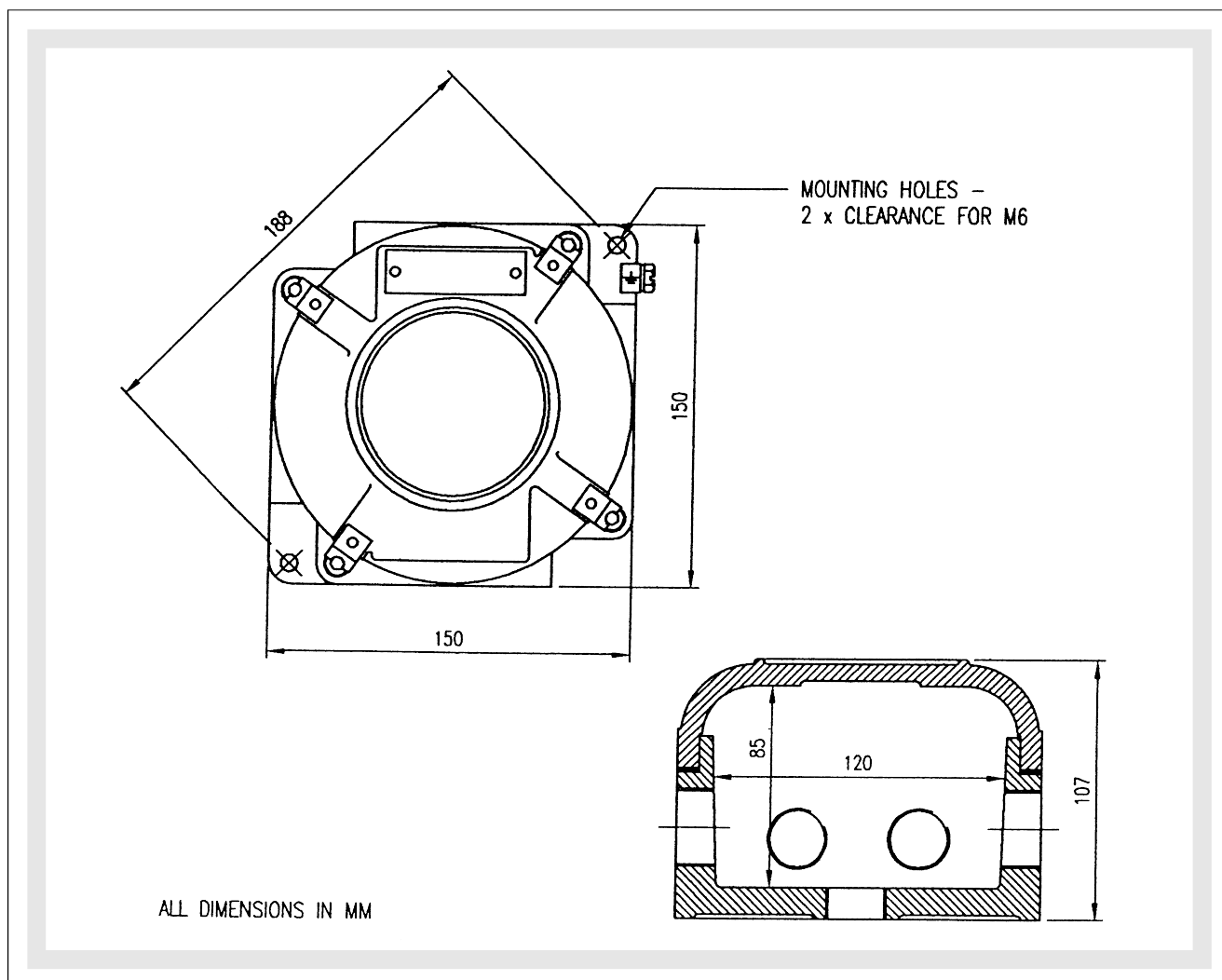
2 entries up to and including 25mm or 1 entry up to and including 32mm.

Other thread forms of equivalent size may be substituted as required.

TERMINAL BLOCKS: Various terminal blocks may be fitted to the enclosure the table below is a guide to ratings that can be obtained using various terminal combinations. The table assumes that each terminal is carrying the same level of current for further information please call FEEL technical personnel.

Terminal Form	Maximum No of Ways	Conductor Size (mm ²)	Load per Terminal (T6)	Load per Terminal (T5)	Load per Terminal (T4)	Terminal Voltage
Block	24	1.5	9 Amps	14 Amps	24 Amps	440
Block	12	4.0	21 Amps	34 Amps	36 Amps	440
Block	6	6.0	37 Amps	40 Amps	40 Amps	440
Rail mounted	12	2.5	15 Amps	24 Amps	27 Amps	750
Rail mounted	10	4.0	21 Amps	33 Amps	36 Amps	750
Rail mounted	8	6.0	28 Amps	45 Amps	47 Amps	750

IMPORTANT In order to comply with certification requirements it is necessary to supply each enclosure fitted with a terminal block. Please detail your exact requirements. If terminal blocks are not defined each enclosure will be fitted with a 4-way block suitable for 4.0mm² conductors @ 36 Amps. Entry to enclosure must be by way of approved cable glands or stopping boxes. Direct entry with conduit tube is not permitted and unused entries must be fitted with approved plugs.



INSTALLATION INSTRUCTIONS: The installer must ensure that the enclosure chosen is suitable for the field of application. Which means that the marking on the certification label must correspond to the classification given to the Ex area.
Also that the temperature class of the enclosure meets the respective requirements.
For further information refer to the Installation Instruction sheet provided with the enclosures.

THE RIGHT CHOICE FOR QUALITY AND SERVICE